

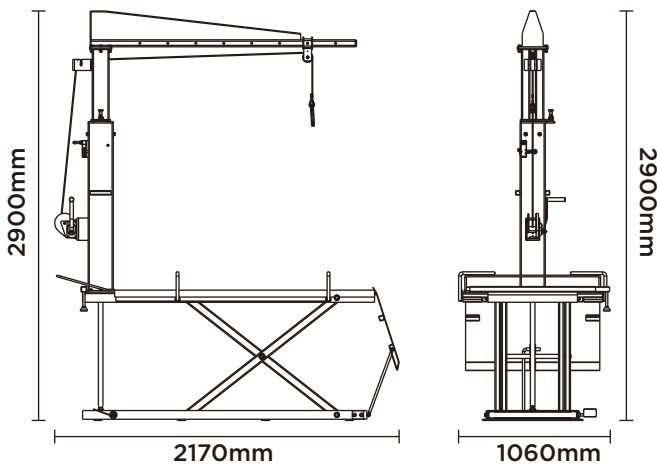
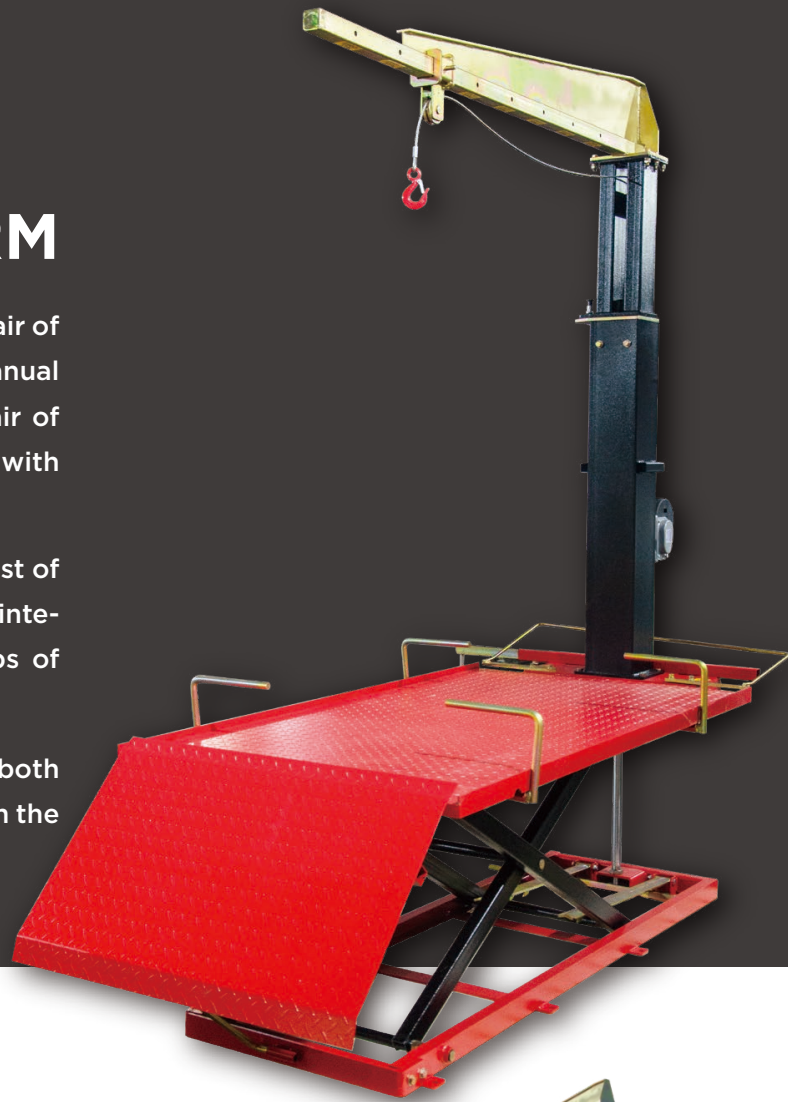


WORKING PLATFORM

Pneumatic lift table specially designed for the repair of machinery equipped with a boom operated by manual winch with pneumatic brake that allows the repair of the direction of the Small and medium machinery with total comfort and safety.

This lift table of pneumatic repair is the most robust of the market 400kg of weight, without almost maintenance is the ideal lift table for all the workshops of repair of machinery.

The boom is rotating 90° which allows to move to both sides of the table to pick up machines directly from the floor and deposit them on the table.



Working Platform	ITCWB400
Platform size	1860x1000 mm
Platform Max. height	900 mm
Platform lifting weight	400 kg (@ 8 bar)
Hoisting weight	180 kg
Product overall size	2170*1060*2900 mm (L*W*H)
Product weight	420 kg
Package size (vener box)	2200*1080*550 mm (L*W*H)
Total weight	470 kg
FLC (20/40HQ)	20 / 44 PCS